

Roof Drains

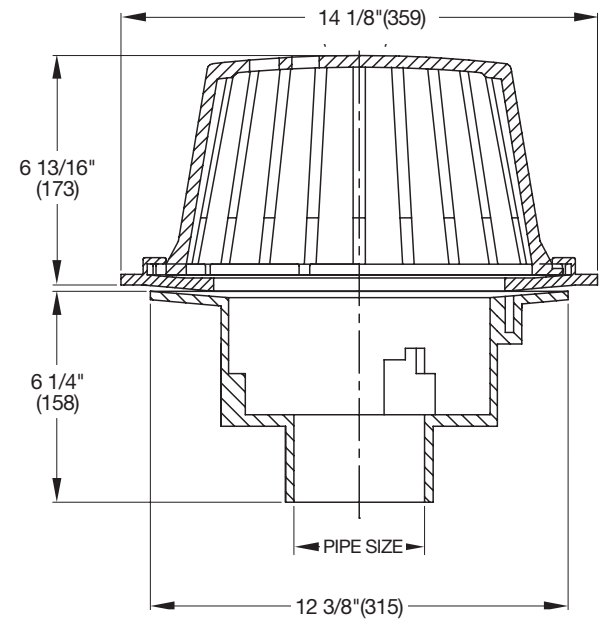
RD-100 Roof Drain



Model Number	Outlet Size	WT., lbs.	List Price
RD-102, 3, 4	2,3,4,"	26	\$707.50
RD-105, 6	5, 6	26	1,010.00



Note: Poly Dome Standard



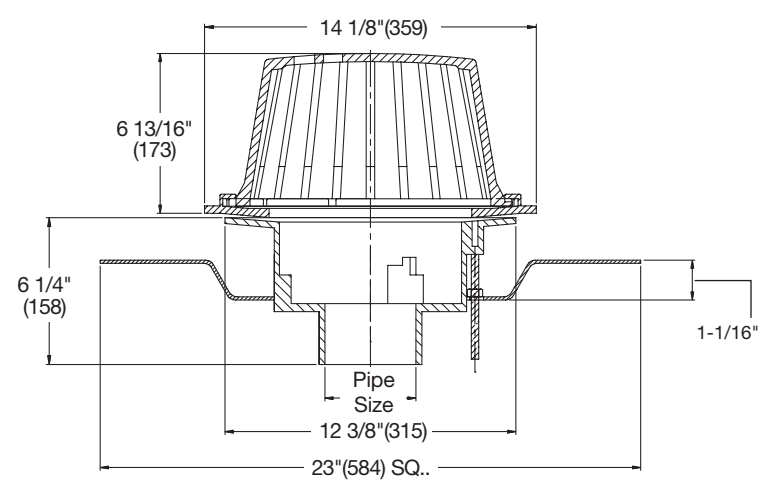
RD-100-F Roof Drain with Adjustable Extension Flange



Model Number	Outlet Size	WT., lbs.	List Price
RD-102, 3, 4-F	2,3,4,"	40	\$1,366.50
RD-105, 6-F	5, 6	40	1,669.00



Note: Poly Dome Standard



Options for RD-100 Series:

Suffix	Description	List Price	Suffix	Description	List Price
None	No Hub	No Add	-GSS	Stainless Steel Ballast Guard	\$625.50
P	Push-On Outlet	No Add	-K	Ductile Iron Dome	210.50
T	Threaded Outlet	\$80.00	-K13	Galvanized Dome	568.50
X	Inside Caulk Outlet	No Add	-K40	Ductile Iron Low Dome (4" high)	210.50
-60	PVC Body w/Socket Outlet (2,3,4,6" only)	No Add	-K80	Aluminum Dome	244.50
-61	ABS Body w/Socket Outlet (2,3,4" only)	No Add	-K81	Rough Bronze Dome	1,796.00
-13	Galvanized Body & Flashing Clamp	956.50	-K83	SS Mesh Covered Aluminum Dome	744.50
-85	4" SS Perforated Extension	625.50	-L	Vandal Proof Dome	123.50
-A	Accutrol Flow Restrictor	1,176.00	-R	2" External Water Dam	230.50
-B	Sump Receiver	268.50	-SO	Side Outlet (2,3,4" only)	336.00
-D	Underdeck Clamp	240.50	-V	Fixed Extension	659.50
-F	Deck Flange/Adj. Extension	659.50	-W	Adjustable Internal Water Dam	423.00

Consult factory for all applications outside of listed parameters.

Prices do not include applicable taxes.

